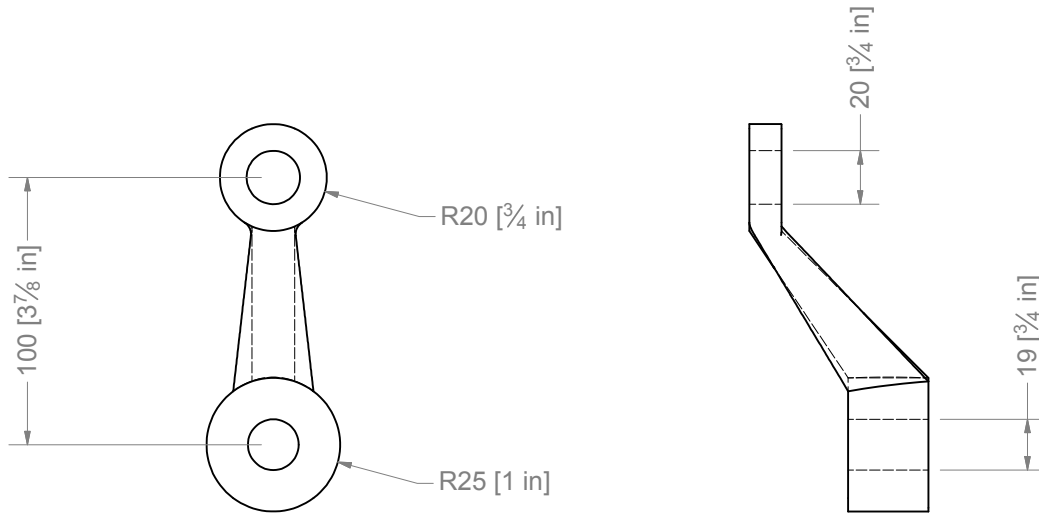
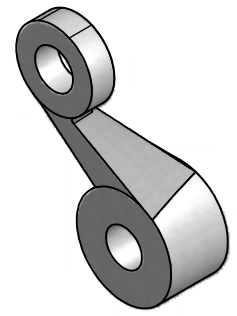


NP-11-1-180



Details	
Item	Description
Catalogue#	NP-11-1-180
Description	1 way, 180 degree. Centre point fixed connector
Material	CF8M cast grade, Equivalent wrought grade 316
Finish	Mechanical Satin Linish(#4) is standard, please note mechanical Mirror polished, Garnet sand, stainless steel shot blast and electro polishing are available by request

These drawings are for information and can not be deemed as engineered for use in project with out engineering certification

General Tolerances Unless Noted Otherwise			NUPRESS GROUP AUSTRALIA	
DIMENSION (mm)	TOL. for FAB.	TOL. for MACH.	NAME	DATE
			Drawn By: <i>craig</i>	3/20/2007
UP TO 6	±0.5	±0.1	Checked By:	
6 TO 30	±1.0	±0.2	Approved By:	
31 TO 120	±1.5	±0.3	A3 www.nupress.com.au	
121 TO 315	±2.0	±0.5	 Third Angle Projection	SCALE: DNS
316 TO 1000	±2.5	±0.8		TITLE: NP-11-1-180
1001 TO 2000	±3.0	±1.0	Part No: NP-11-1-180-CF8M-SSS	Drawing Number: NP-11-1-180
OVER 2000	±3.5	±1.2	REV:	
DO NOT SCALE IF IN DOUBT, ASK!			All Dimensions are in mm [in]	

This drawing is the property of the Nupress Group and is supplied on the understanding that it is not to be used or copied or communicated to any person without the written permission of the proprietors.

