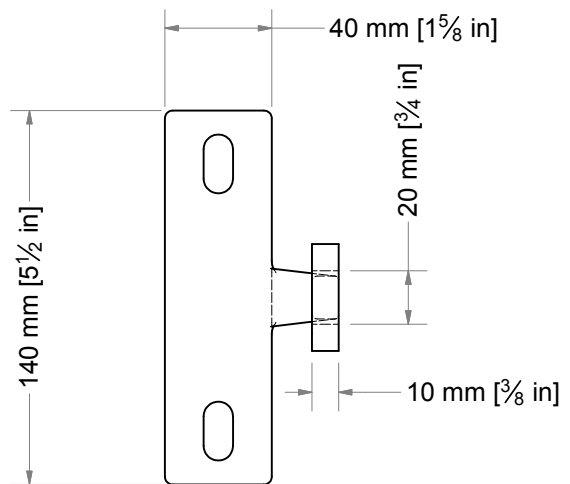
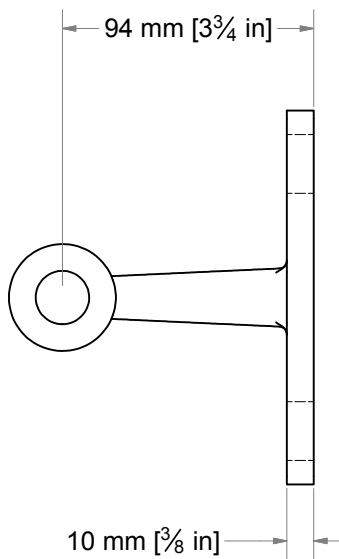
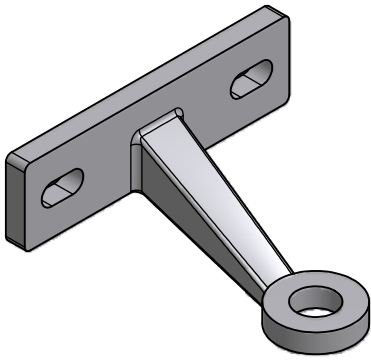


NP-12-1-180



Details	
Item	Description
Catalogue#	NP-12-1-180
Description	1 way 180 degree casting
Material	CF8M cast grade, Equivalent wrought grade 316
Finish	Mechanical Satin Linish(#4) is standard, please note mechanical Mirror polished, Garnet sand, stainless steel shot blast and electro polishing are available by request

These drawings are for information and can not be deemed as engineered for use in project with out engineering certification

General Tolerances Unless Noted Otherwise

DIMENSION (mm)	TOL. for FAB.	TOL. for MACH.
UP TO 6	±0.5	±0.1
6 TO 30	±1.0	±0.2
31 TO 120	±1.5	±0.3
121 TO 315	±2.0	±0.5
316 TO 1000	±2.5	±0.8
1001 TO 2000	±3.0	±1.0
OVER 2000	±3.5	±1.2

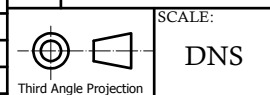
NUPRESS GROUP AUSTRALIA

NAME	DATE
Drawn By: CMC	15/02/2009
Checked By: cam	17/02/2009
Approved By: cmc	20/02/2009

This drawing is the property of the Nupress Group and is supplied on the understanding that it is not to be used or copied or communicated to any person without the written permission of the proprietors.



A3 www.nupress.com.au



SCALE: DNS

TITLE: NP-12-1-180

Part No: NP12-1

Drawing Number: NP-12-1-180

REV: 0

DO NOT SCALE IF IN DOUBT, ASK!

All Dimensions are in mm [in]

Sheet 1 of 1