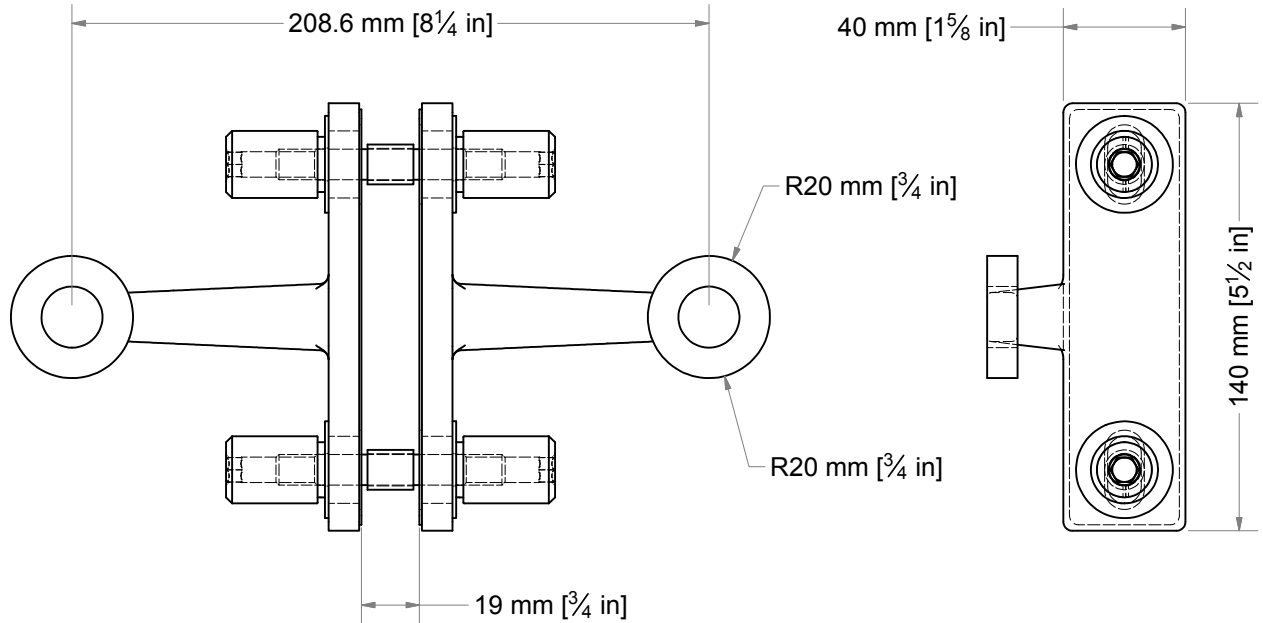
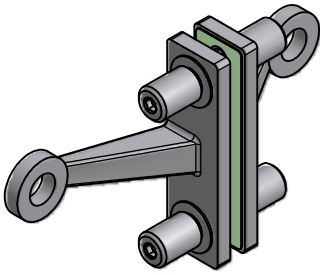


# NP-10-1-180



If using other than 19mm / 3/4" glass please specify

Details	
Item	Description
Catalogue#	NP-10-1-180
Description	2 way 180 degree . splcing point fixed conector (specify fin thickness at placement of order)
Material	CF8M cast grade, Equivalent wrought grade 316
Finish	Mechanical Satin Linish(#4) is standard, please note mechanical Mirror polished, Garnet sand, stainless steel shot blast and electro polishing are available by request

These drawings are for information and can not be deemed as engineered for use in project with out engineering certification

General Tolerances Unless Noted Otherwise			NUPRESS GROUP AUSTRALIA	
DIMENSION (mm)	TOL. for FAB.	TOL. for MACH.	Drawn By:	NAME: CMC DATE: 15/02/2009
			Checked By:	cmc 17/02/2009
UP TO 6	±0.5	±0.1	Approved By:	cmc 20/02/2009
6 TO 30	±1.0	±0.2	A3 www.nupress.com.au	
31 TO 120	±1.5	±0.3	Third Angle Projection	SCALE: DNS TITLE: NP-10-1-180
121 TO 315	±2.0	±0.5		
316 TO 1000	±2.5	±0.8	Part No: NP10-1-10 Drawing Number: NP-10-1-180 REV: 0	
1001 TO 2000	±3.0	±1.0	All Dimensions are in mm [in] Sheet 1 of 1	
OVER 2000	±3.5	±1.2	DO NOT SCALE IF IN DOUBT, ASK!	

This drawing is the property of the Nupress Group and is supplied on the understanding that it is not to be used or copied or communicated to any person without the written permission of the proprietors.

