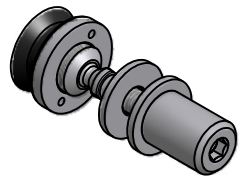
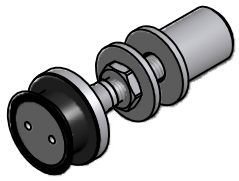
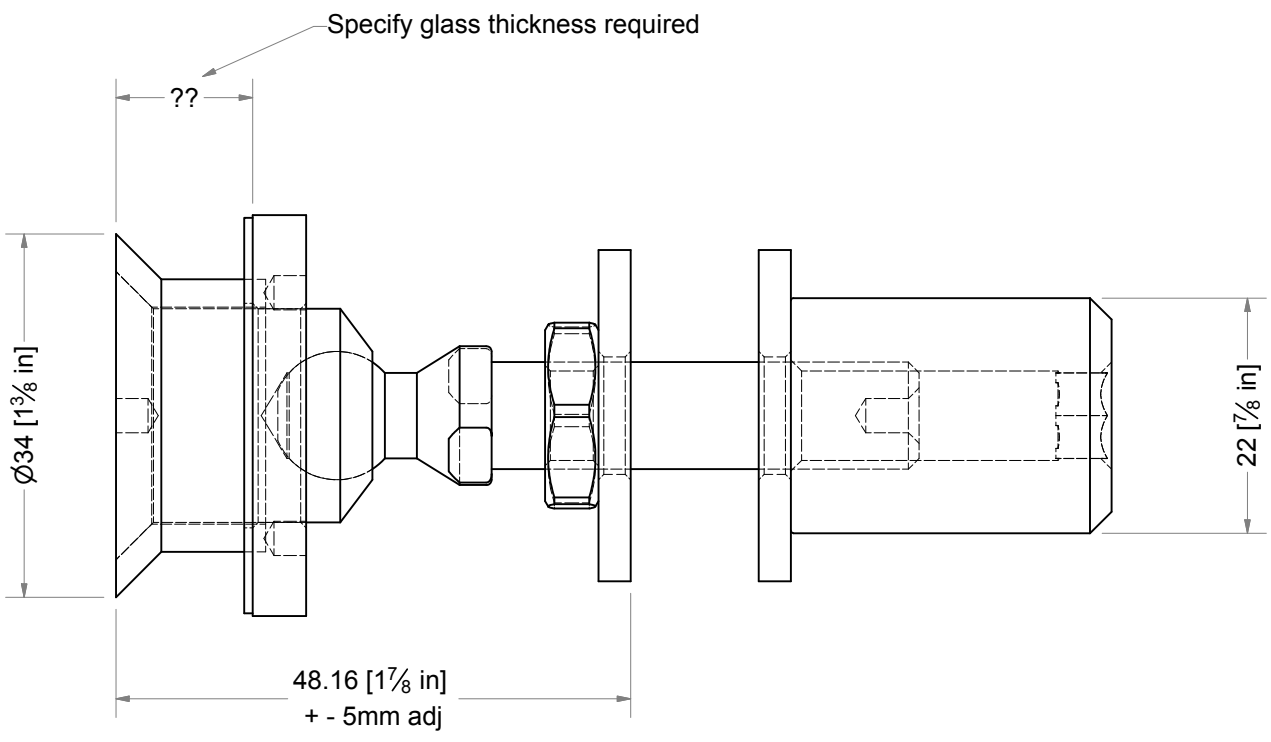


6 5 4 3 2 1



# NP-ABJ-CSK-M10-??



Details	
Item	Description
Catalogue#	NP-ABJ-CSK-M10-??
Description	Countersunk M10 Articulating balljoint
Material	316 Stainless steel
Finish	As Machined

Stem diameters can be increased as engineering requires

These drawings are for information and can not be deemed as engineered for use in project with out engineering certification

General Tolerances Unless Noted Otherwise		<b>NUPRESS GROUP AUSTRALIA</b>	
DIMENSION (mm)	TOL. for FAB.	TOL. for MACH.	Drawn By: <u>CMC</u> DATE: <u>3/20/2007</u>
			Checked By: _____
UP TO 6	±0.5	±0.1	This drawing is the property of the Nupress Group and is supplied on the understanding that it is not to be used or copied or communicated to any person without the written permission of the proprietors.
6 TO 30	±1.0	±0.2	
31 TO 120	±1.5	±0.3	
121 TO 315	±2.0	±0.5	
316 TO 1000	±2.5	±0.8	SCALE: _____ TITLE: <b>NP-ABJ-CSK-M10-??</b>
1001 TO 2000	±3.0	±1.0	
OVER 2000	±3.5	±1.2	Part No: <b>NP-ABJ-CSK-M10-12 for 12mm arm</b> Drawing Number: <b>NP-ABJ-CSK-M10-??</b>
DO NOT SCALE IF IN DOUBT, ASK!			
All Dimensions are in mm [in]			Sheet 1 of 1

6 5 4 3 2 1